

Product Specifications

EFFECT MODUL ZESILOVAC



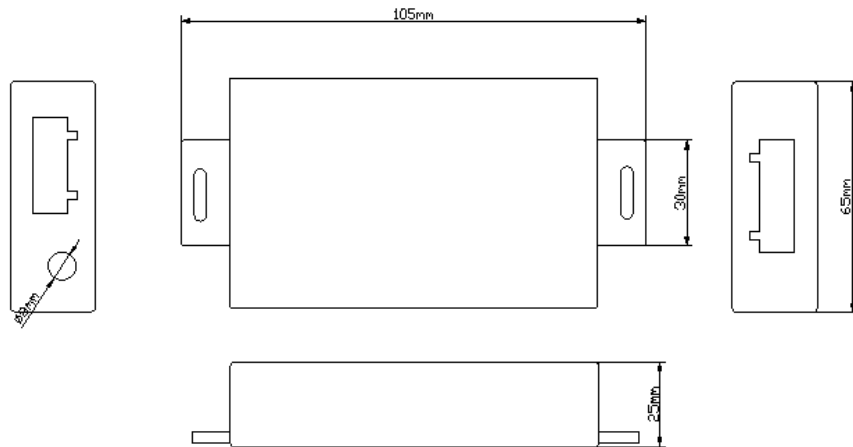
Summarization

RGB amplifier applies to all the voltage-controlled LED controller in our company, it can receive PWM (Pulse Width Modulation), each time add one RGB amplifier, the connecting number of led will be more than twice, in theory, numerous RGB amplifiers can be connected.

Technical parameters

- working temperature: $-20-60^{\circ}\text{C}$
- supply voltage: DC5V, 12V, 18V, 24V optional (Specify the required voltage on order form)
- output: 3 channels
- connection mode: common anode
- external dimension: $L105 \times W65 \times H25\text{mm}$
- packing size: $L122 \times W85 \times H42\text{mm}$
- net weight: 115g
- gross weight: 145g
- static power consumption: $<1\text{W}$
- output current: $<4\text{A}$ (each channel)
- output power: 5V: $<60\text{W}$, 12V: $<144\text{W}$, 24V: $<288\text{W}$

External Dimension



Interface Specifications

power input interface1:



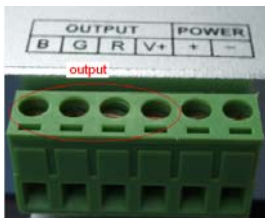
Adopt conventional DC power transposon as power input interface.

power input interface2:



Adopt male and female connector with screw.

signal output interface:



Adopt male and female connector with screw.

signal input interface:



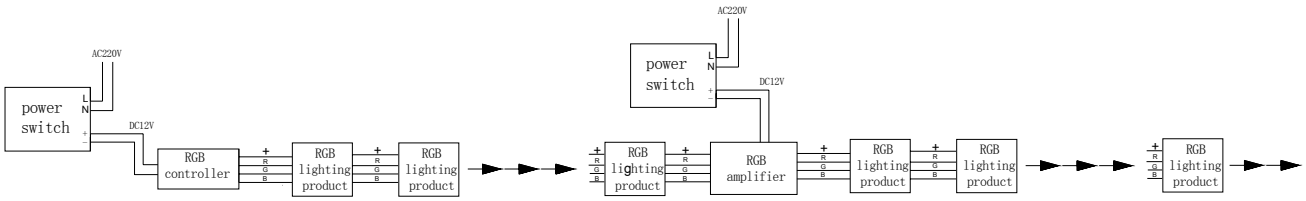
Adopt male and female connector with screw.

Direction for Use

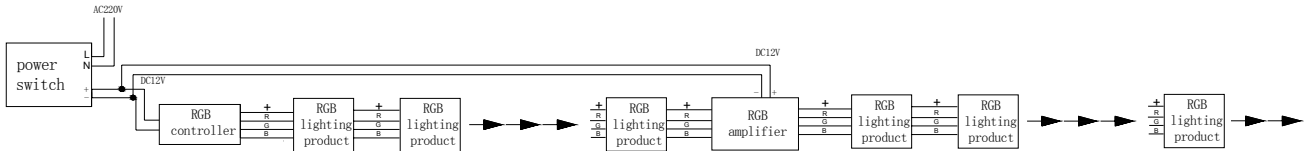
according to the silk-screen prompts on the panel of RGB amplifier, to connect input and output signal wires in order to ensure short circuit can not occur between wires, and then connect power for RGB amplifier, and RGB amplifier goes hand in hand with LED controller, please refer to the following < Typical applications >.

Technical Application

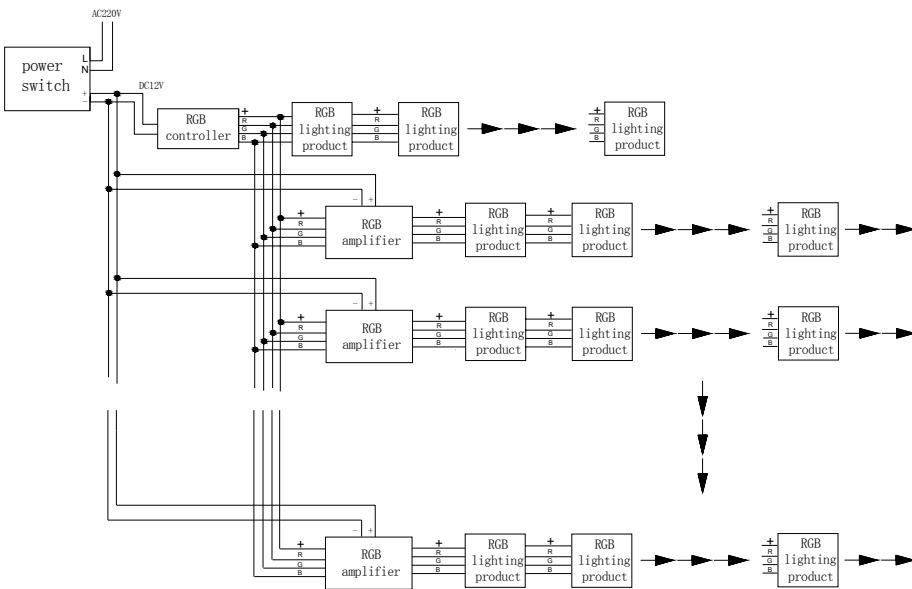
structure one: serial connection, two or more power switch.



structure two: serial connection, one power switch.



structure three: parallel connection, one power switch.



structure four: parallel, two or more power switch.

